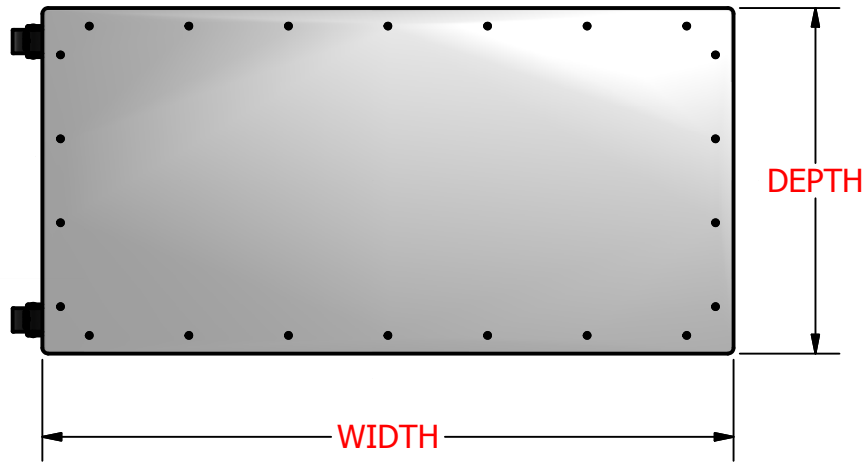
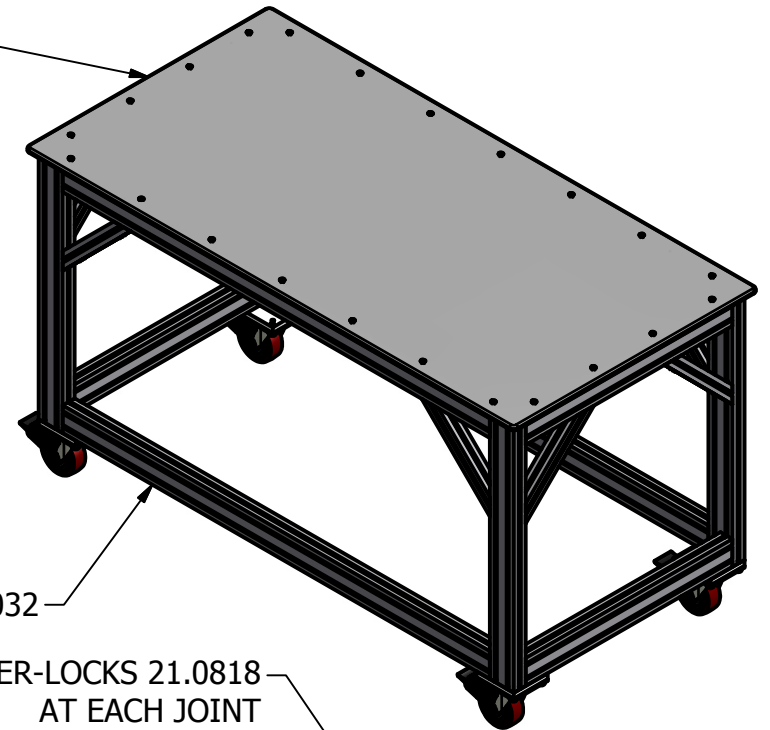


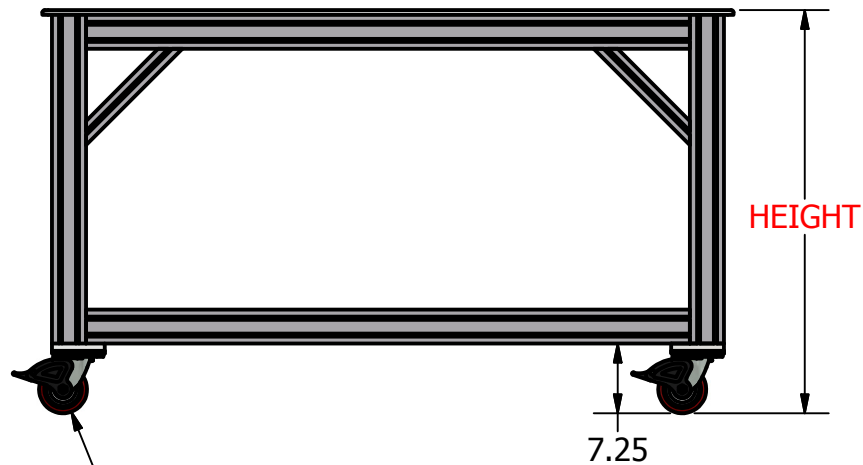
1/2" ALUMINUM TABLE TOP (OR SPECIFY)



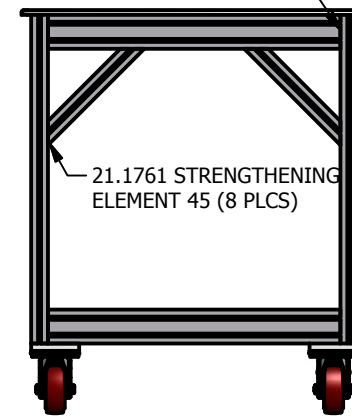
45X90 F PROFILES 20.1032



QTY2 POWER-LOCKS 21.0818
AT EACH JOINT



21.9405 HEAVY DUTY SWIVEL CASTER
WITH TOTAL LOCK BRAKE (4 PLCS)



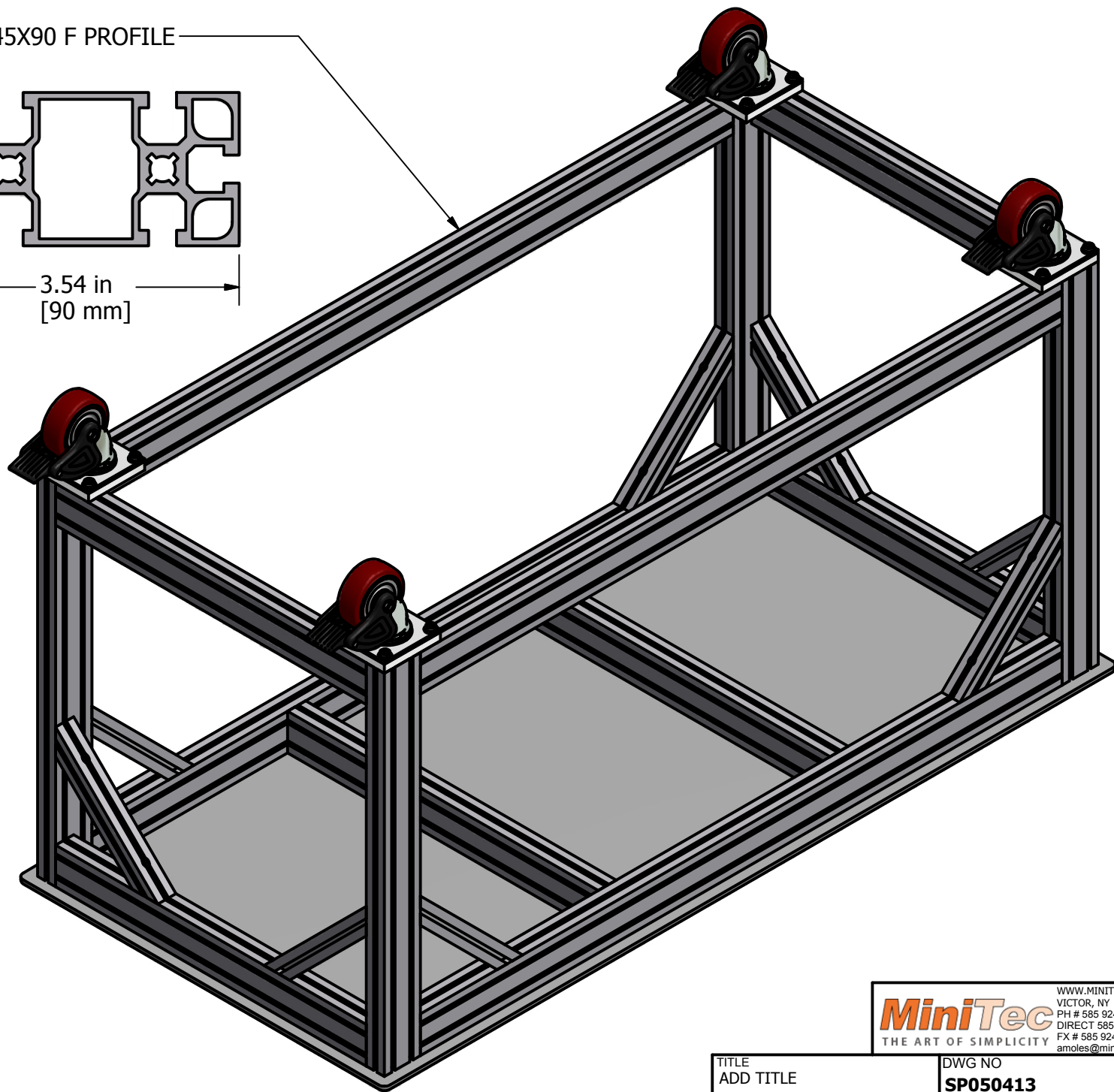
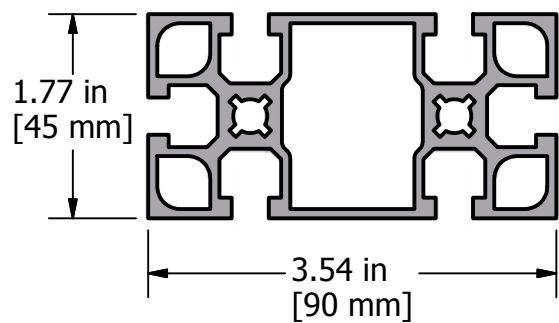
**LOAD RATING DEPENDS ON SIZE &
TYPE OF USE. THIS DESIGN IS GENERALLY
FOR THE 1000 - 2000 POUND RANGE**

MiniTec
THE ART OF SIMPLICITY

WWW.MINITECFRAMING.COM
VICTOR, NY
PH # 585 924-4690
DIRECT 585 398-1240 EXT 104
FX # 585 924-4821
amoles@minitecframing.com

TITLE ADD TITLE	DWG NO SP050413	REV
--------------------	---------------------------	-----

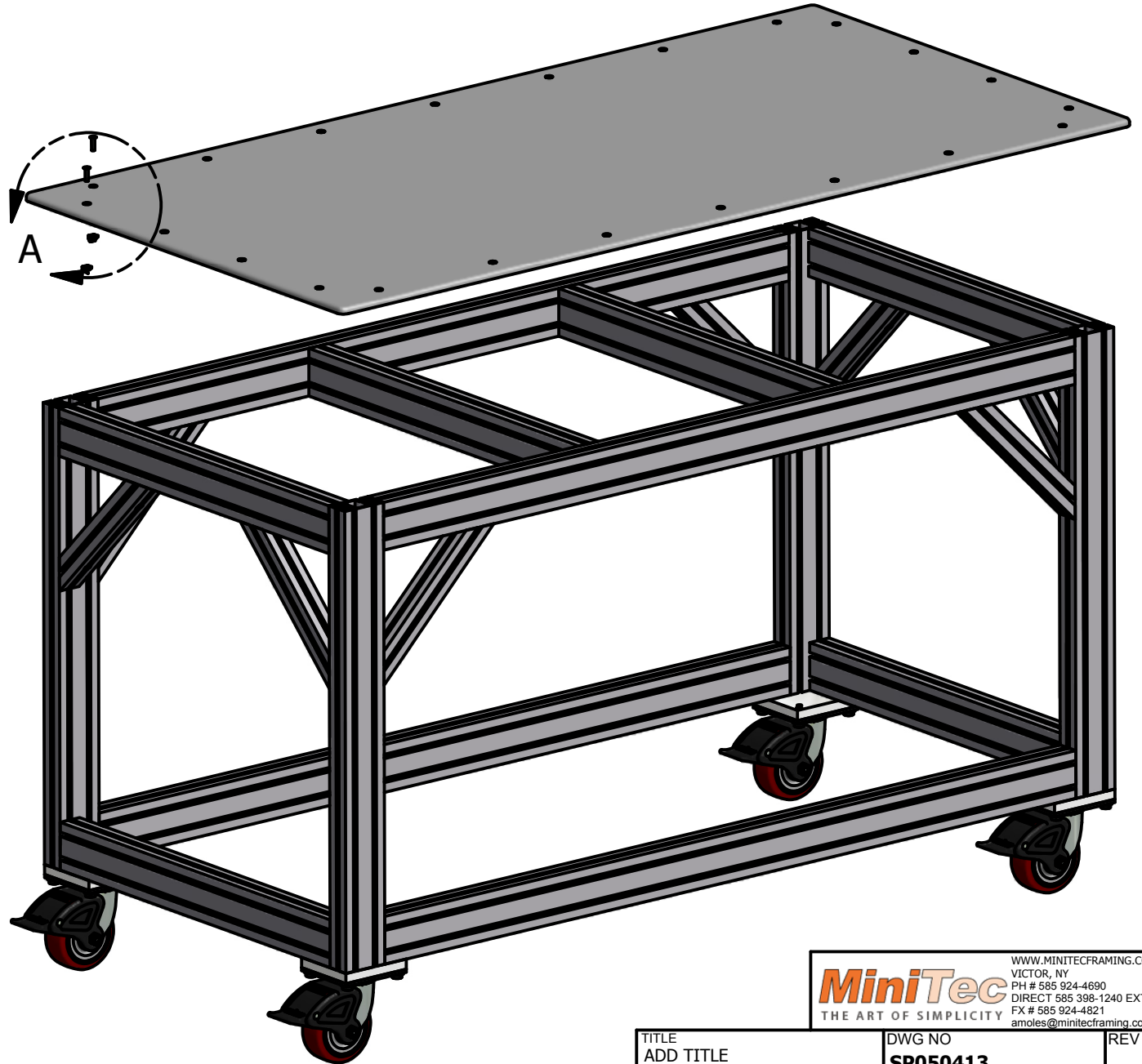
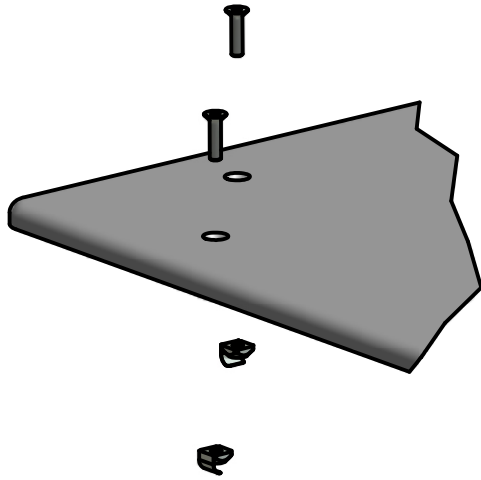
45X90 F PROFILE



WWW.MINITECFRAMING.COM
VICTOR, NY
PH # 585 924-4690
DIRECT 585 398-1240 EXT 104
FX # 585 924-4821
amoles@minitecframing.com

MiniTec
THE ART OF SIMPLICITY

TITLE ADD TITLE	DWG NO SP050413	REV
--------------------	---------------------------	-----

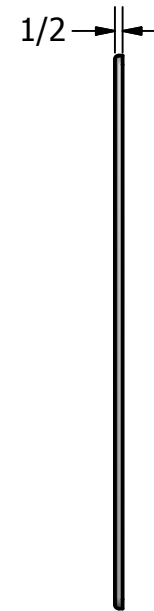
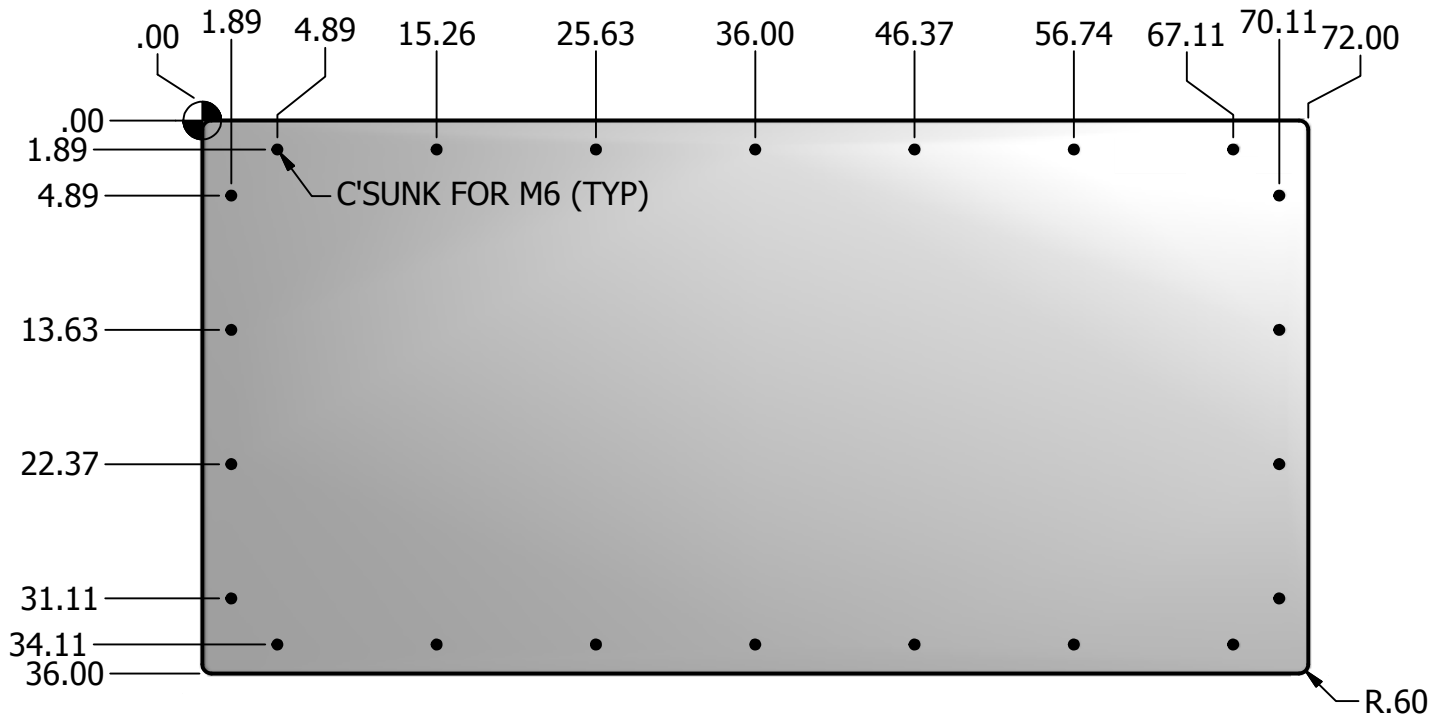
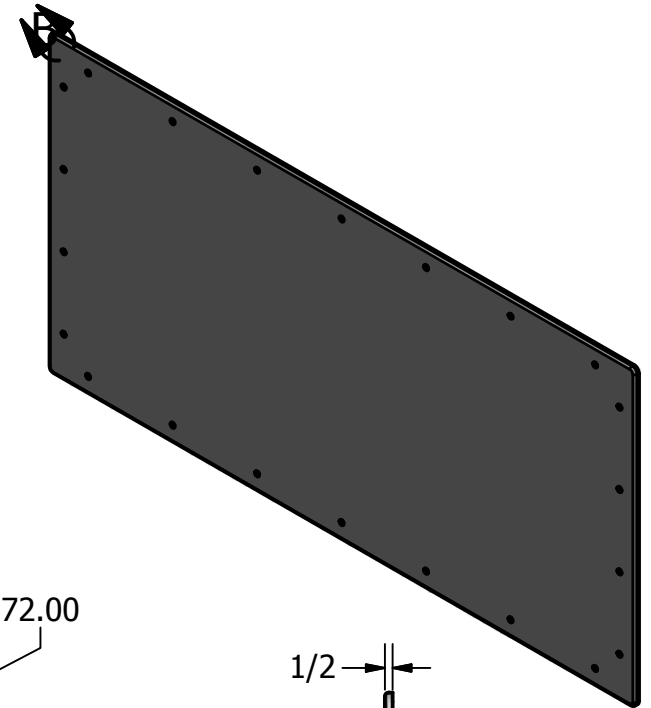
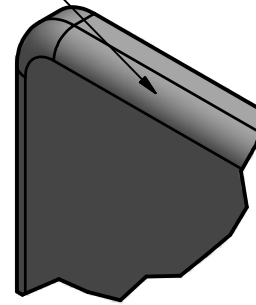


MiniTec
 THE ART OF SIMPLICITY
 WWW.MINITECFRAMING.COM
 VICTOR, NY
 PH # 585 924-4690
 DIRECT 585 398-1240 EXT 104
 FX # 585 924-4821
 amoles@minitecframing.com

TITLE ADD TITLE	DWG NO SP050413	REV
--------------------	---------------------------	-----

EXAMPLE TABLE TOP FOR 36" DEEP X 72" WIDE TABLE WITH 1" OVERHANG

1/4" FILLET



MiniTec
 THE ART OF SIMPLICITY
 WWW.MINITECFRAMING.COM
 VICTOR, NY
 PH # 585 924-4690
 DIRECT 585 398-1240 EXT 104
 FX # 585 924-4821
 amoles@minitecframing.com

TITLE ADD TITLE	DWG NO SP050413 TABLE TOP	REV
--------------------	-------------------------------------	-----